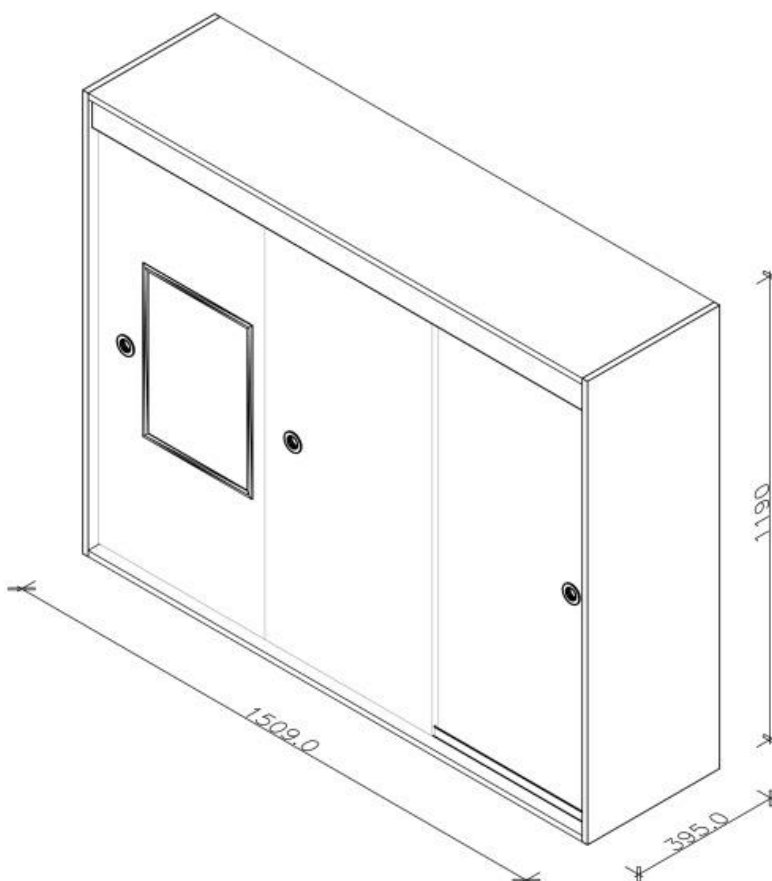


# 3 Bay HandBuilt Dispensing Solution

## **3 Bay x 7 tray dispenser – no security roller door** **(24hr trading)**

This dispenser solution consists of 3 bays and 7 trays in each bay. Total of 21 merchandising trays.

Standard colours include black, white & eurobeach. Custom colours can be used to match shop interior



The 2 & 3 bay solutions are our standard dispenser option for sites that are 24hr operational and do not require a security roller door. They can be added together to build a 4 bay (2 x 2 bay dispenser) or 5 bay (2 bay + 3 bay dispenser).

We highly recommend a **Hand Built accredited contractor** complete a site measure to ensure the correct measurements are taken before purchasing a tobacco dispenser.

**Hand Built Head Office**  
34 Gratwick Road  
PO Box 671  
LOXTON SA 5333  
**Telephone:** + 618 85847869  
**Facsimile:** + 618 85846807  
**[www.handbuilt.com.au](http://www.handbuilt.com.au)**



**HandBuilt®**  
SHOPFITTING & DESIGN