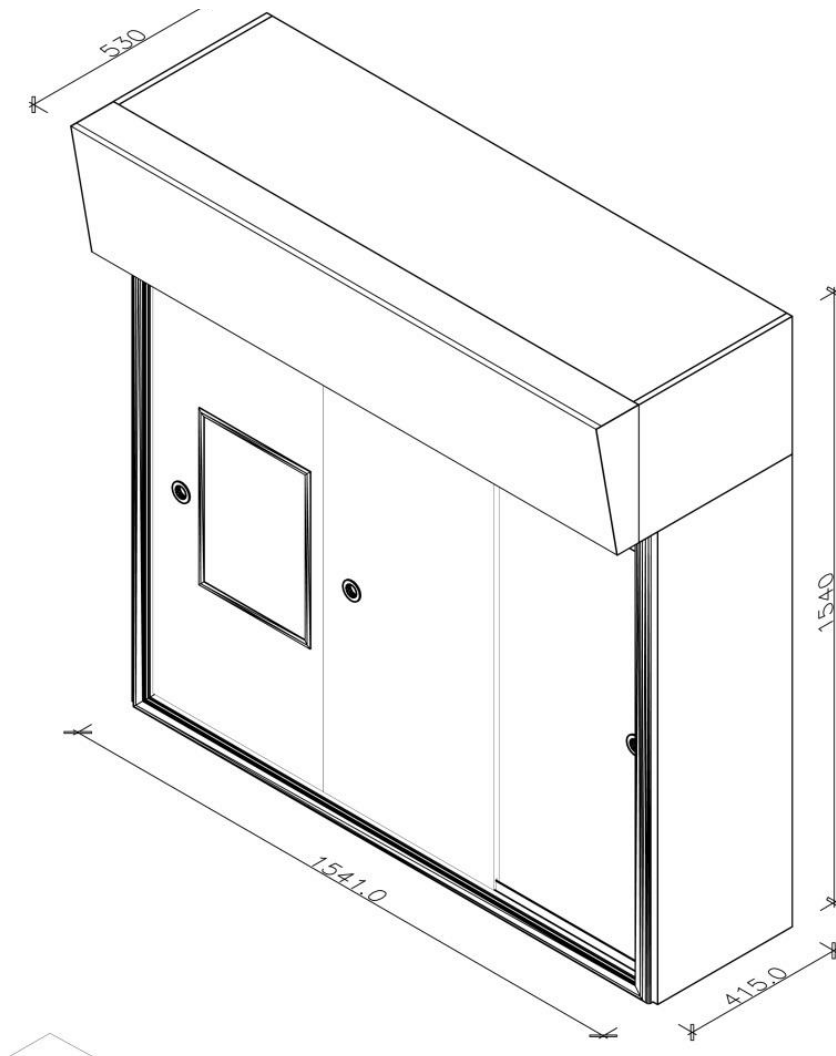


3 Bay HandBuilt Security Shutter Dispensing Solution

3 Bay x 7 tray dispenser – with security roller door

This dispenser solution consists of 3 bays and 7 trays in each bay. The extra height is required to house the security roller door. Total of 21 merchandising trays.



The security roller shutter comes pre-tensioned in a “ready to go” header box. The security shutter system has been designed to be easily adapted to the dispenser and other cabinetry. Once the header box has been positioned and installed, the security shutter is ready for use. This easy, simple fit provides a high security measure for not only cigarette merchandise but can be adapted to encase all high theft and high value items in the retail world.

Hand Built Head Office
34 Gratwick Road
PO Box 671
LOXTON SA 5333
Telephone: + 618 85847869
Facsimile: + 618 85846807
www.handbuilt.com.au



HandBuilt®
SHOPFITTING & DESIGN